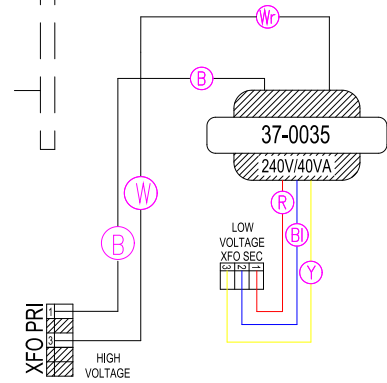
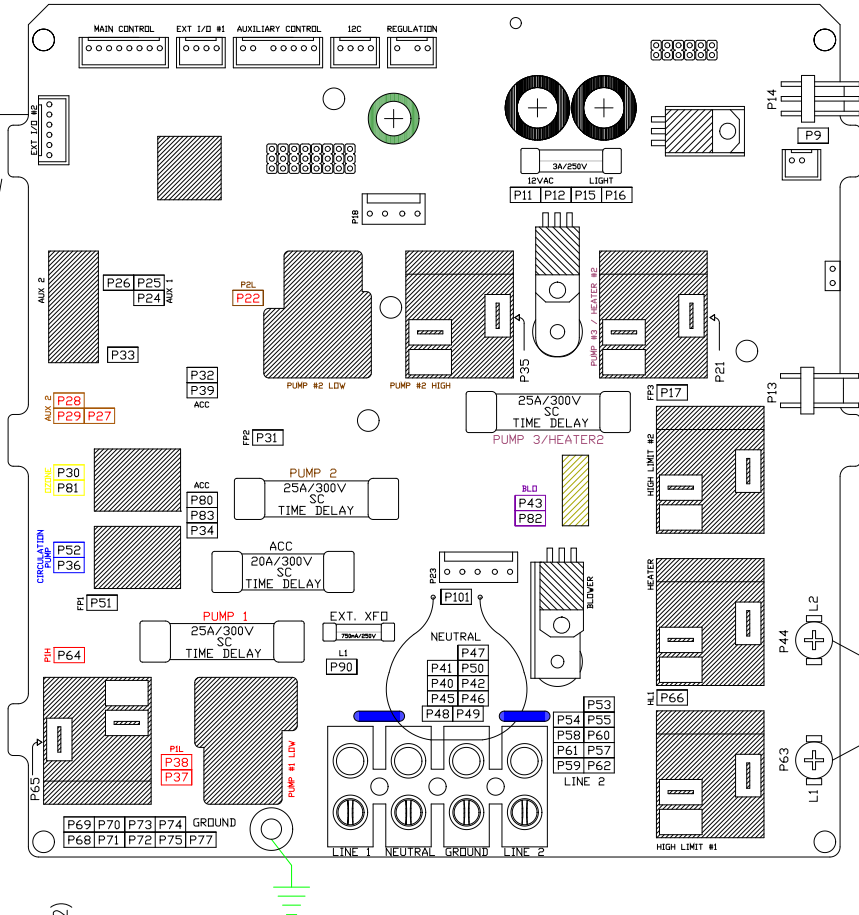
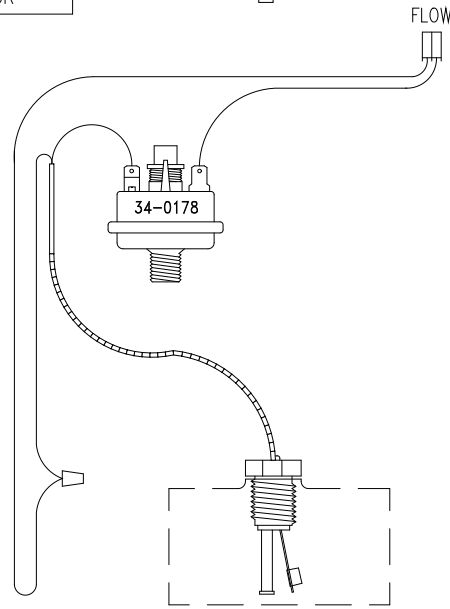


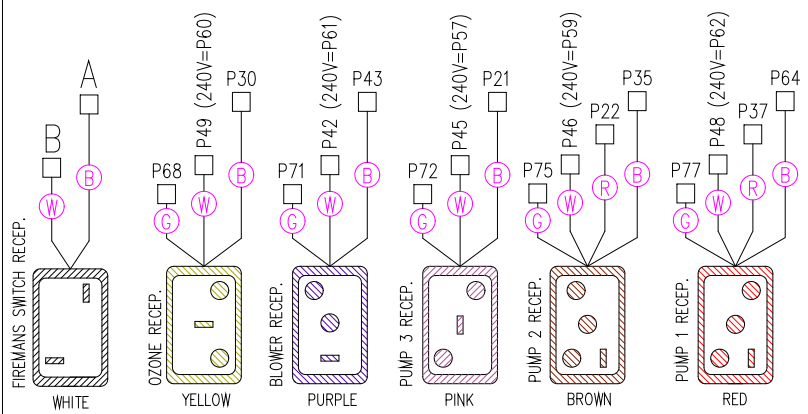
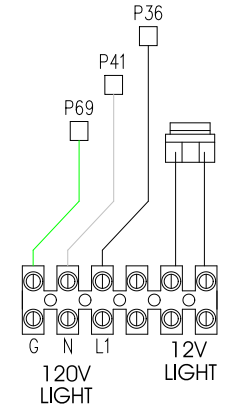
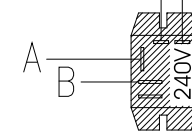
LEGEND	
□	- 1/4" QUICK CONNECT
▢	- 1/4" PIGGYBACK
⊞	- FORK CONNECTOR
○	- RING CONNECTOR
▭	- SOCKET CONNECTOR
△	- PIN CONNECTOR

13-0014A

33-0027



See Firemans Switch Recep.



HYDRO-QUIP
CORONA, CA (909) 273-7575

Manufacture Notes:

Dwg. No.
G822A0-KLPQY-J

Drawn
MBS
Date
09.23.09
Diagram
No. **5164**

Rev
02

Wire Color Code
B - Black G - Green
Br - Brown Bl - Blue
R - Red V - Violet
O - Orange W - White
Y - Yellow Gr - Gray